

Model SST

Servo Stable Table System



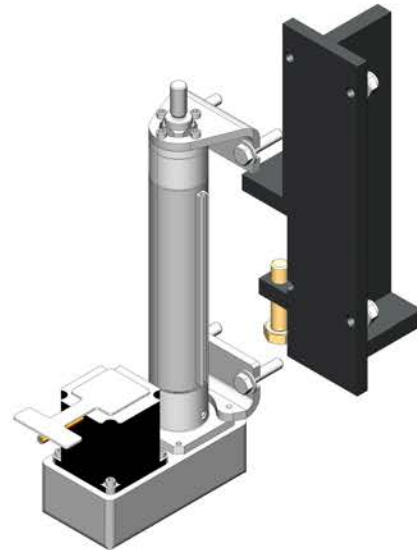
This servo controlled screw nut linear actuator puts the bag table where it needs to be! No more bouncing to find the right position.

Replaces the classic pneumatic system on your existing bag table.

The stepper motor is a precise tool to find the right vertical position.

The Allen Bradley Micro800 Series PLC provides feedback loop.

Clamps onto existing bagger frame with two bolts.
No welding.



Watch it in action:

<https://youtu.be/ugGVcvKahlk>

lenexamc.com
1 (913) 378-3800
sales@lenexamc.com
Lenexa KS, USA



LMC
LENEXA MANUFACTURING COMPANY

Experience, Service, Respect.
We have the best recipe for your success.