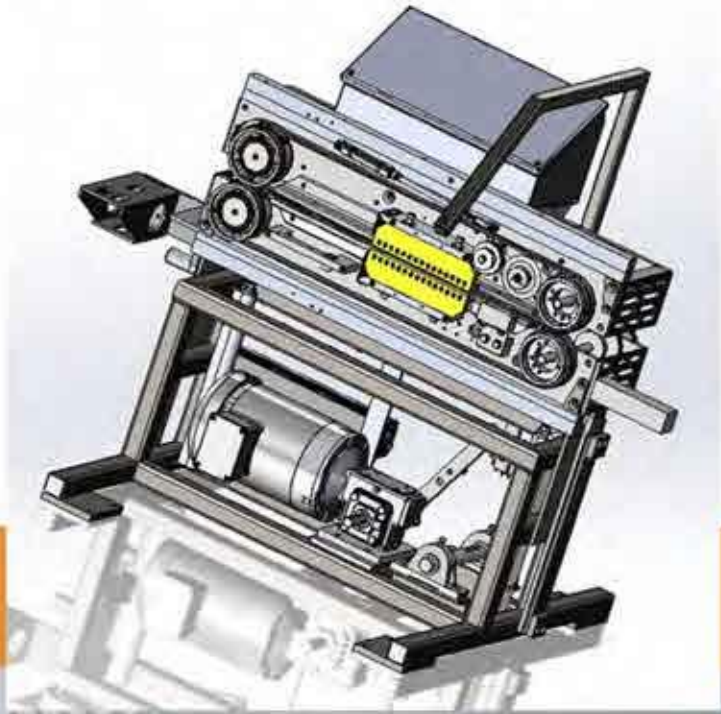


Model PDSL LMC Heat Sealer



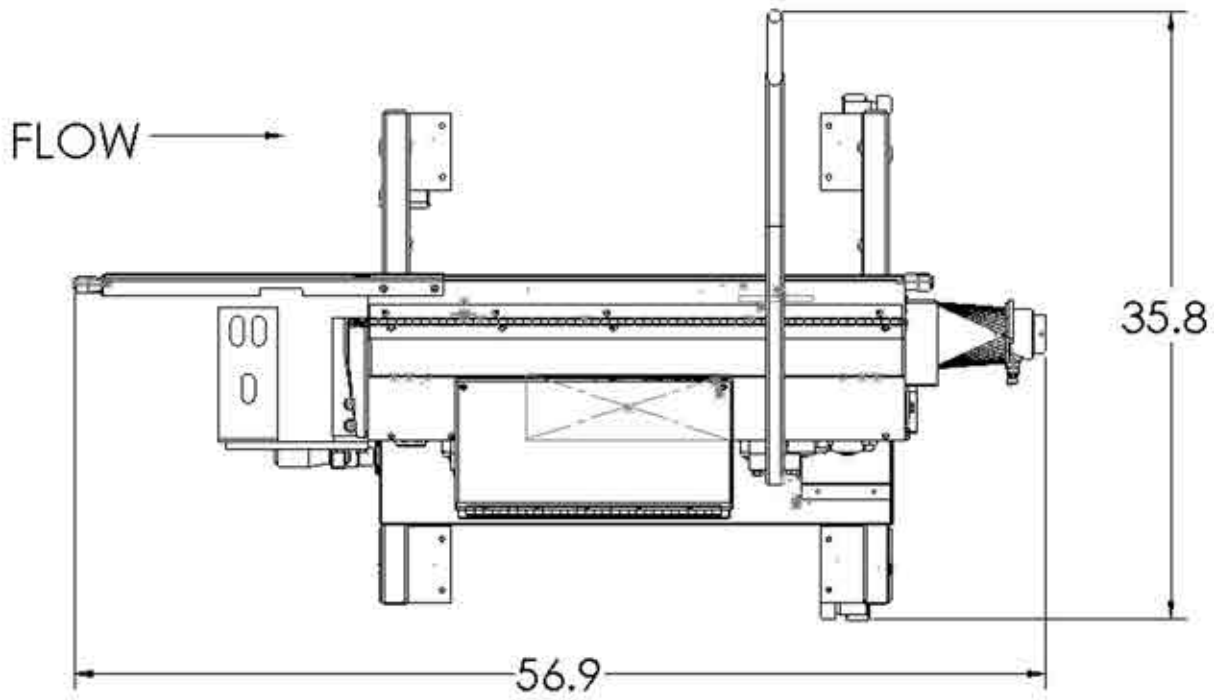
- *Speed of 10 to 70 packages per minute.
- *Belt speed up to 120 feet per minute.
- *Produces a 3/16th" wide seal.
- *Circular blade.
- *Vaccuum powered by compressed air removes trip.
- *Pivot head and open guarding allows for easy maintenance, belt replacement, and cleaning.
- *Electrical Requirements 40 AMP single phase 120 VAC
- *Air Requirements 90 PSI



LMC
LENEXA MANUFACTURING COMPANY

Experience, service, respect. We have the best recipe for your success"
-LMC sales@lenexamc.com,
ph: 913-378-3800, Lenexa, KS, USA

Model PDSL LMC Heat Sealer



(INCHES)



LMC
LENEXA MANUFACTURING COMPANY

Experience, service, respect. We have the best recipe for your success"
-LMC sales@lenexamc.com,
ph: 913-378-3800, Lenexa, KS, USA