

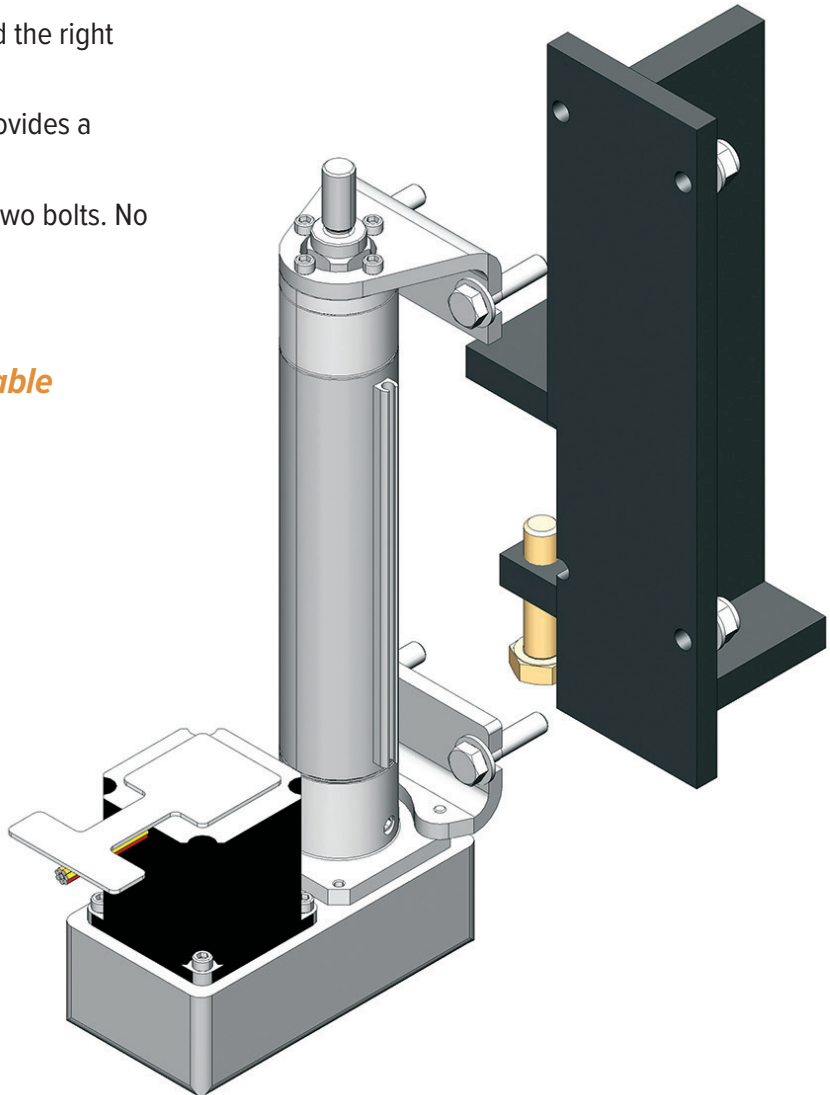
Servo Stable Table System Model SST

This servo controlled linear actuator puts the bag table where it needs to be! No more bouncing to find the right position.

- Replaces the classic pneumatic system on your existing bag table.
- The stepper motor is a precise tool to find the right vertical position.
- The Allen Bradley Micro800 Series PLC provides a feedback loop.
- Clamps onto existing bagger frame with two bolts. No welding.

Learn more about the Servo Stable Table

[CLICK HERE](#)



1 (913) 378-3800 • www.lenexamc.com

Experience, service, respect. We have the best recipe for your success.