

FRUSTRATED WITH FINDING UBE-STYLE PARTS?

We Can Help!

Call Lenexa Manufacturing Company

For Help With Your Packing Room



LMC
LENEXA MANUFACTURING COMPANY

913-378-3800 | lenexamc.com



**LMC Is A Firm Of Experienced Machine Designers
& Assemblers Specializing In UBE-Type Spare
Parts For Bread & Bun Slicers & Baggers**

LMC SERVICES

- Spare Parts for UBE Machines – Multiple Models
- Custom Designed Automation – Slicers, Baggers, Sealers & Conveyors for Packaging Rooms
- Production & Stocking of Spare & Replacement Parts to Support Baggers, Slicers & More
- High Performance Bun & Bread Slicing Blades & Industry Innovations – Locking Nut Blade
- Comprehensive Machine Servicing, Evaluation/Audits, Preventative Maintenance Plans, Maintenance Team Training
- Refurbishing Equipment to Higher Performance & Safety Standards
- Equipment Upgrades –Modern Mechanical, Electrical & Programming on Existing Machines
- Premier Customer Service – Knowledgeable Staff, Same Day Pricing & Express Shipping
- Online & Video Conferencing – Troubleshooting & Team Training

Slicers

- New England Slicer
- 9915 or 99HS Hinge Slicer (5/7 Spindle)
- Model 80 Top Slicer
- Bottom Slicer
- S90 & TS90Band Slicer (Single & Dual)
- 90-75 Slicer
- 50-80 Slicer

Baggers

- 90AL
- 1216AL
- 06HL
- 67-2P
- 75-1 & 2
- 77-1
- Hand Bagger
- Bagel Bagger
- Wide Products Bagger

INNOVATIONS FROM LMC: RAISING THE BAR

- Improved Lock Caps
- Improved Spindles & Linear Bearings On Spindle Holders
- Locking Nut Blade
- Servo Stacker Kit
- Full CNC Capabilities
- Solidworks Product Data Management
- User Friendly Website – Search Bar & Shopping Cart

PROFESSIONAL SERVICE & TRAINING FROM LMC

- Audit Machines For Worn/Damaged Parts
- Check Overall Timing Of Machines
- Review Preventative Maintenance Plan
- Train Maintenance Teams On Timing, Function, Proper Product & Bag Pairing, Machine Set Up & More
- Review Product Recipe Setup – Photo Eye Set Up, Gate & Brake Timing, Stacking Air & Air Blast Timing
- Address Part Ordering Concerns
- Reverse Engineer Custom Parts For Replacement

BETTER SPINDLE LOCK CAPS

— Ergonomic Designed Blade Release

— Flat Surfaces For Better Grip To
Release Stuck Pin



BETTER SPINDLE BLADE ASSEMBLY

Reduced Downtime &
Longer Lasting Bearing

Stronger Housing – 304 Stainless

Stainless Steel Shaft & Bearings

Thermofit Assembly – Uniform Thermal
Expansion Of Spindle Assembly

Increased Longevity Due To Precision
Tolerances & Bearing Interference Fits



LOCKING NUT BLADE DESIGN

Reusable Nut Holds Blades,
Easily Replaceable By Bakery

Designed For Heavy Vibration

No More Problems With Loose Rivets

Easy To Replace Blade

Reuse Existing, Long Lasting Shaft Over & Again

Reduced Cost & Waste

Reduced Shipping Fees & Wait Times

Increased Blade Run-out Control During Assembly

Save Money, Reduce Inventory, Waste Fewer Stems



Ken Onimus of New York International Bakery states our lock nut design bagel blades are “phenomenally better” than standard rivet blades.

SERVO STACKER CONVERSION KIT

Plastic Paddles Replace Mechanical Crank Arm

Few Moving Parts

Only Running When Product Present

Easier Adjustability For A Variety
Of Product Widths

Fewer Wear Parts = Decreased Downtime

Quieter & Smoother Than Traditional
Mechanical Stackers

Increased Life & Reduced Maintenance vs.
Mechanically Driven Stacker



CNC Mill & Lathe

High-precision Tolerances
& Quality Parts

LMC Standard Tolerance on Parts
Is +/-0.005" Higher Tolerances
Available With Extended Lead Times



SOLIDWORKS PRODUCT DATA MANAGEMENT

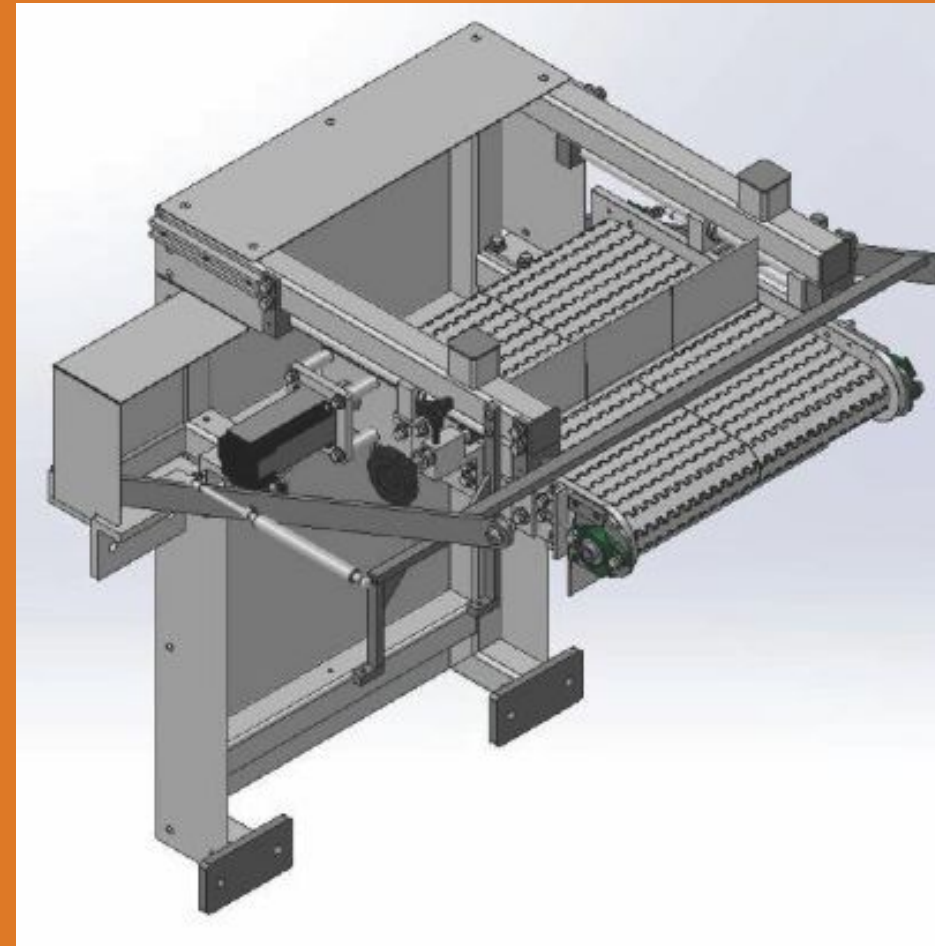
Library-Type Database For
All Drawings & Attributes

Engineer Utilized Tool For Greater
Consistency With Designs, Drawings &
Drawing Layouts

Automated Revision Control

Quick Access To Database Of All CAD
Information

 **SOLIDWORKS**
PDM



Sample Drawing

SEARCH BAR AND SHOPPING CART

Quick & Simple Parts Orders + Same Day Pricing & Shipping

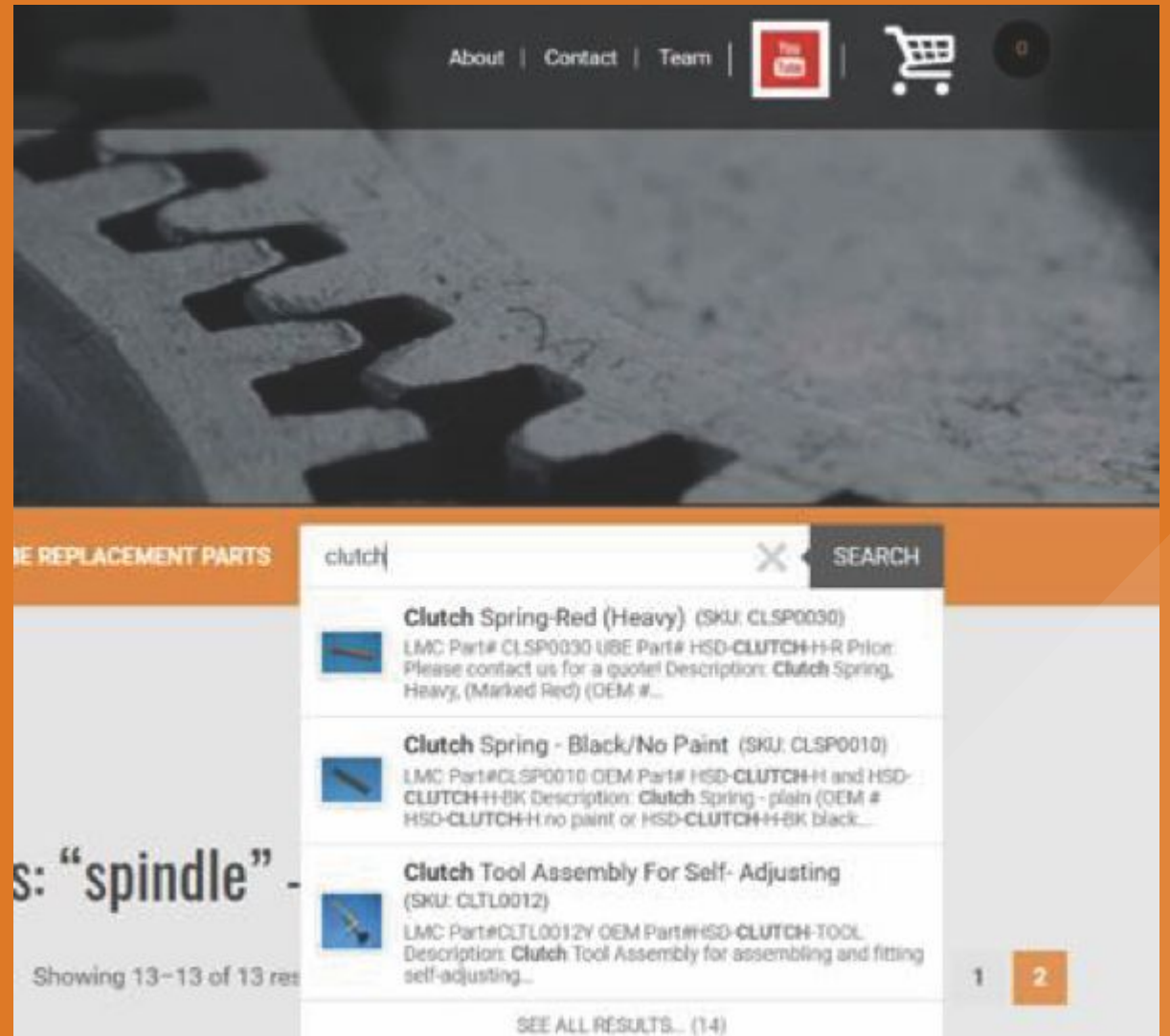
LMC Offers The Only Store & Search Feature

Enables Parts Managers To Ensure Accuracy In Their Parts Orders

Easy Pricing Requests

Ability To Request Prices 24/7

Easy-to-see Parts for Verification





LME

LENEXA MANUFACTURING COMPANY

We make it right.