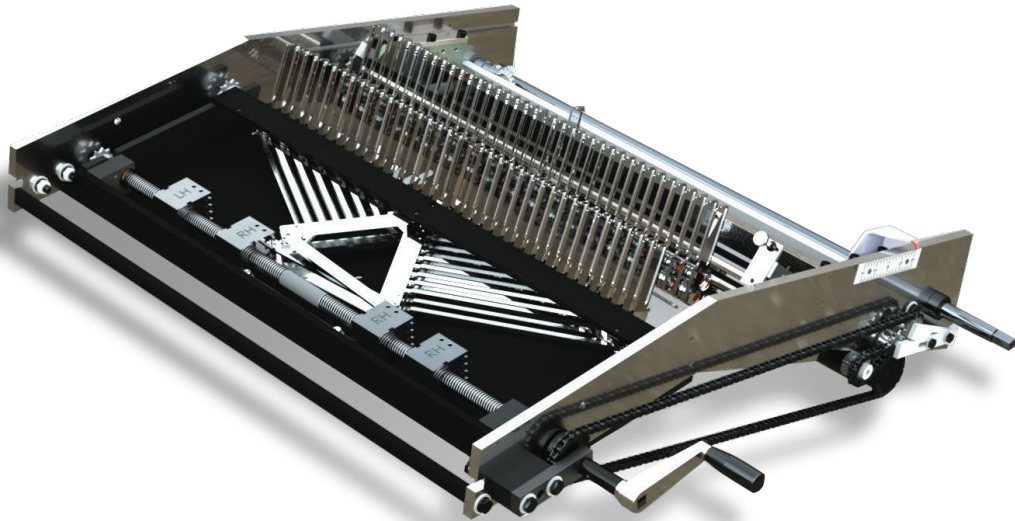


BREAD SLICERS – MODEL 90-75 AND 50-80



DESIGNED FOR:



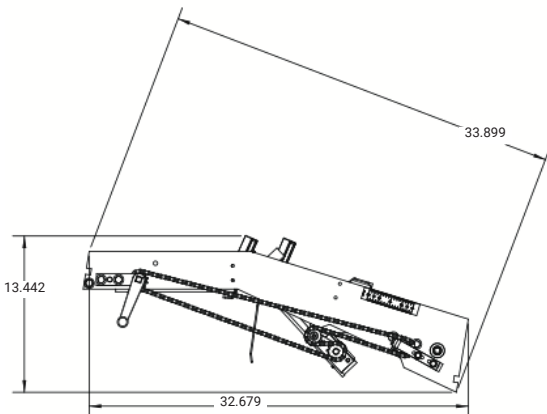
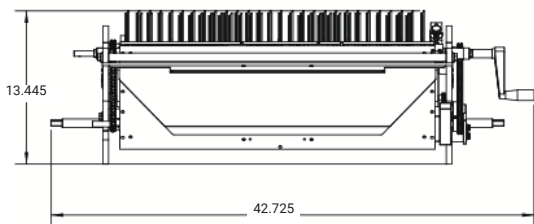
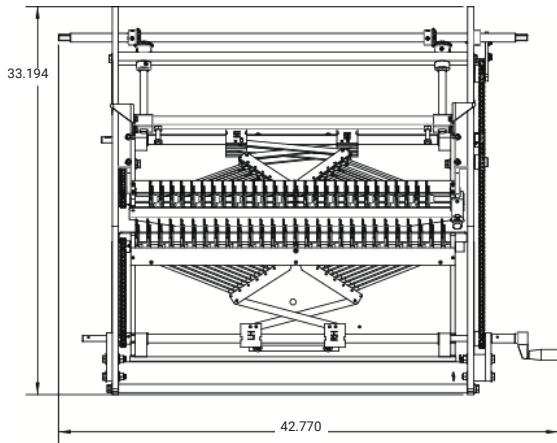
The Lattice is a high-precision, highly engineered assembly head that will fit into UBE's 90-75 and 50-80 slicers. LMC's LATT19 uses vertical blades to accurately slice loaves of bread to a constant thickness. The thickness of the slice is adjustable and moves each blade guide in equal amounts.

LMC is proud to offer you several options for replacing, repairing or refurbishing your existing UBE or AMF equipment. Please contact us today for service quotes or new blade guide options!



"I just want to say what a great success the 90-75 refurbishment was. Great job Lenexa Manufacturing Company!"
— Craig Amster | New York International Bakery

TECHNICAL SPECIFICATIONS



SPECS

- » Manufactured to fit and replace your existing lattice slicer head
- » Uses high quality bearings and belts
- » Replacement parts readily available
- » All machine parts proudly made in the USA

Specifications vary by product and application. Please contact our sales office about product varieties and speeds.

KEY FEATURES

- » Brand new unit
- » Investment cast blade guides
- » Ceramic wear pads
- » Uses sintered iron, bronze, black nylon, and acetal bushings
- » High-strength steel, precision ground, chrome-plated and polished shaft

OPTIONS

- » We can repair or rebuild your lattice
- » We have replacement parts readily available
- » Wide lattice available

LMC builds the LATT19 Lattice for each customer's particular needs. Your machine may vary from this typical unit illustrated. LMC wants to meet with you and design your new line.