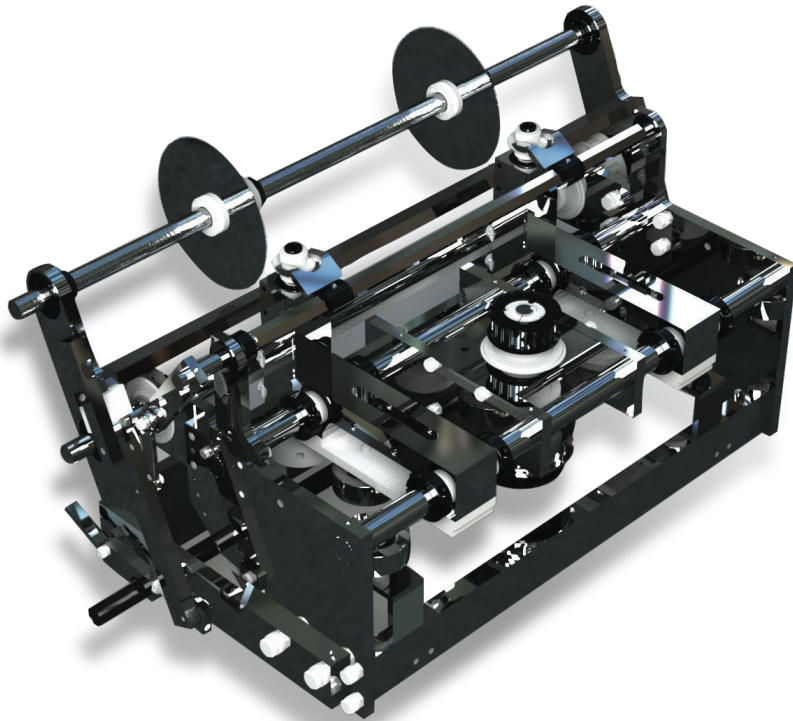


## CLUSTER SPLITTER BOTTOM SLICER – MODEL CS19



DESIGNED FOR:

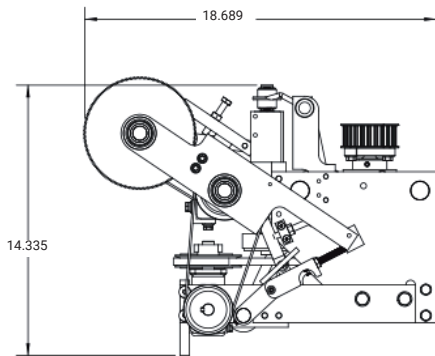
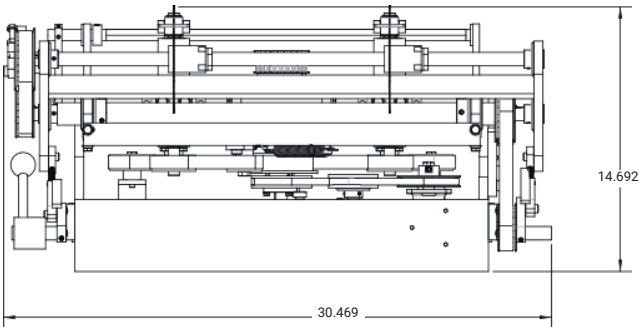
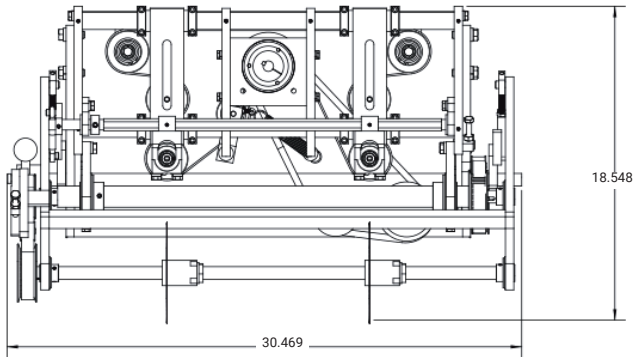


LMC's Bottom Slicer, Model CS19 has horizontal blades to slice cluster hot dog buns. This model is made to replace UBE's Model 92CS currently on many model 90AL machines.



**CHECK OUT BLADE OPTIONS  
FOR THIS MACHINE.**

## TECHNICAL SPECIFICATIONS



<b>ELECTRICAL</b>	208/230/460 VAC - 3Phase, 50/60Hz
<b>SAFETY</b>	Guard Switches
<b>SIZE</b>	Customizable
<b>AIR REQUIREMENTS</b>	Application dependent
<b>DRIVE</b>	1 HP w/ foot mount and brake

**i** Specifications vary by product and application. Please contact our sales office about product varieties and speeds.

### KEY FEATURES

- » To be used below a hinge slicer head
- » Two vertical blades to cut paths for two horizontal disk blades. Horizontal blades cut the hinge on the cluster interior.
- » Vertical blade pitch of 3"
- » External belt powered
- » Fits UBE 90AL
- » Spindles for horizontal slicing include quick release options
- » Easy removal - loosen two bolts and slide out
- » Heavy-duty drives and timing belt spindle drive components
- » Completely adjustable for slice height and depth and floating top conveyor pressure

**i** LMC builds the CS19 Slicer for each customer's particular needs. Your machine may vary from this typical unit illustrated. LMC wants to meet with you and design your new line.



**WATCH A VIDEO OF MODEL CS19**

