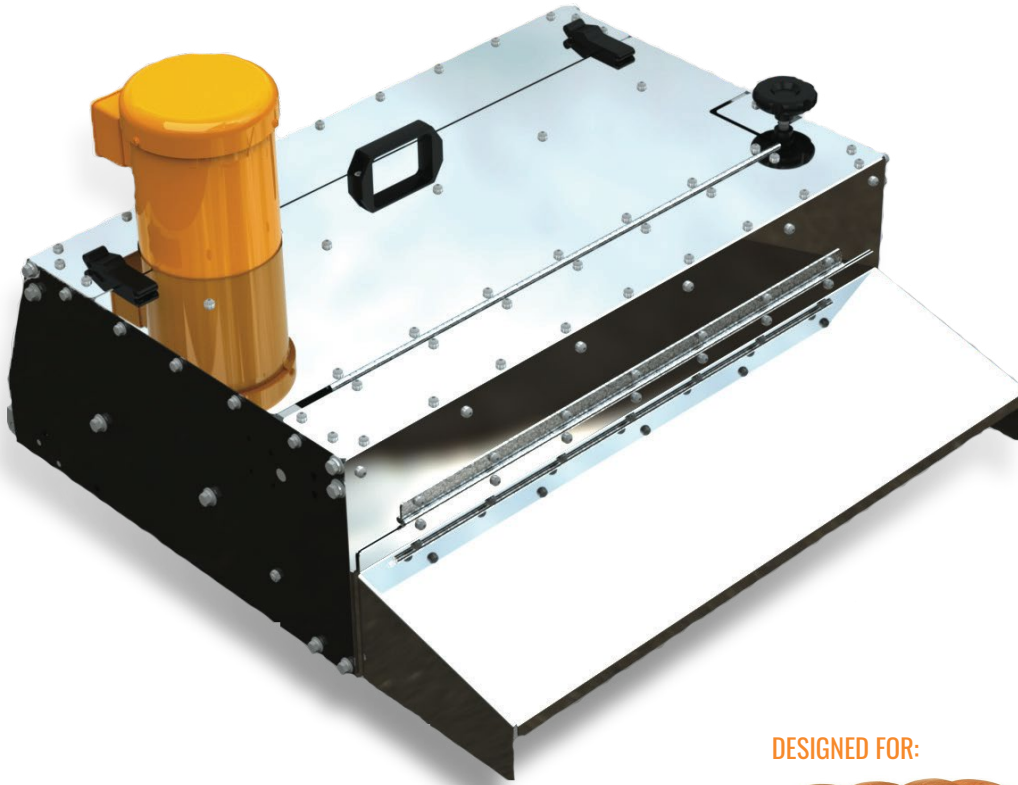


HINGE SLICER – MODEL HS19



DESIGNED FOR:

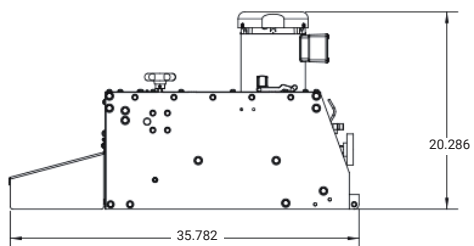
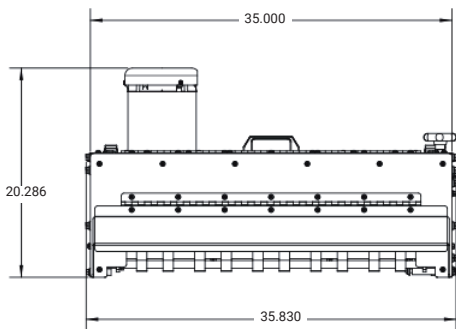
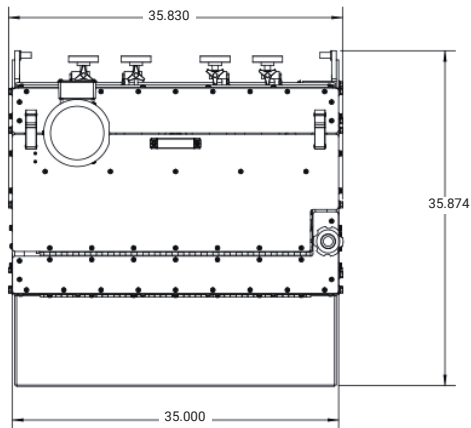


LMC builds our model HS19 Hinge Slicers tailored for each customer's particular needs. Available in 5 and 7 spindle designs with new thermo fit stainless steel spindles.

Your machine may vary from this typical unit illustrated. Allow LMC's talented engineering staff to meet with you and begin the design process to increase productivity and efficiency of your equipment while also lowering key costs.

LMC manufactures new equipment and parts for bread and bun bagging as well as slicing. LMC also refurbishes used equipment, performs custom machine design and fabrication, and sells hinge blades.

TECHNICAL SPECIFICATIONS



ELECTRICAL	208/230/460 VAC - 3Phase, 50/60Hz
SAFETY	Guard Switches
SIZE	Customizable
AIR REQUIREMENTS	Application dependent
DRIVE	1.5 HP

i Specifications vary by product and application. Please contact our sales office about product varieties and speeds.

KEY FEATURES

- » 5 or 7 slicing spindles
- » Manual blade height adjustment
- » Electronic lift system for pass through
- » Cluster splitters
- » Slices hot dog, hoagie, and hamburger buns
- » Blade diameters from 2 to 8 inches
- » Lateral adjustment position of spindles
- » Precision parallelogram height adjustable pressure table mechanism

OPTIONS

- » Available as a replacement head, or as a standalone unit, with slicer, frame, conveyor, and controls
- » Zone and perimeter guarding options
- » Servo driven blade height adjustment

i LMC builds the HS19 Hinge Slicer for each customer's particular needs. Your machine may vary from this typical unit illustrated. LMC wants to meet with you and design your new line.



DO YOU NEED BLADES ?

Explore LMC's inventory of bun, bagel and roll slicing blades of all sizes and shapes.

Available with overnight delivery.

