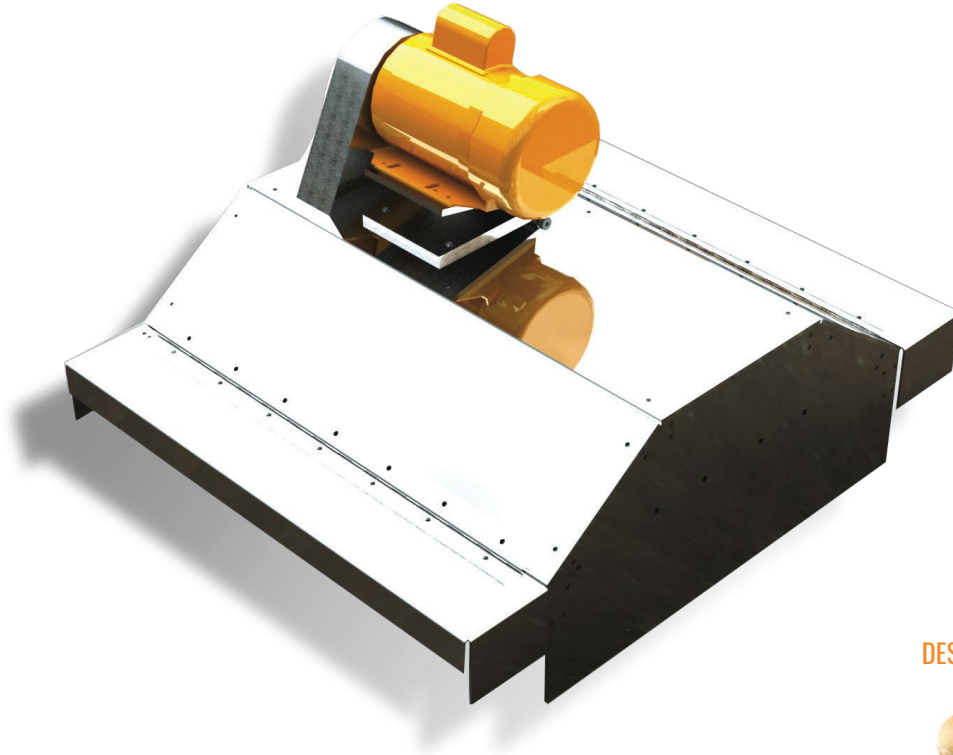


## NEW ENGLAND CONEY SLICER – MODEL NE17



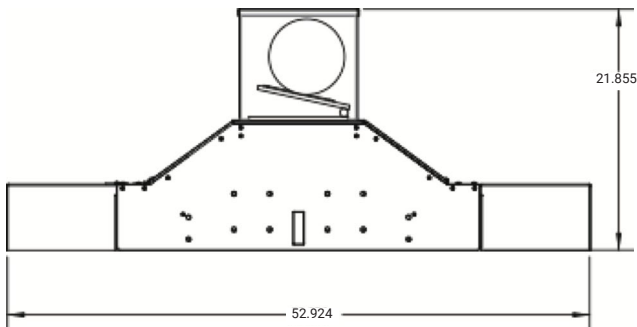
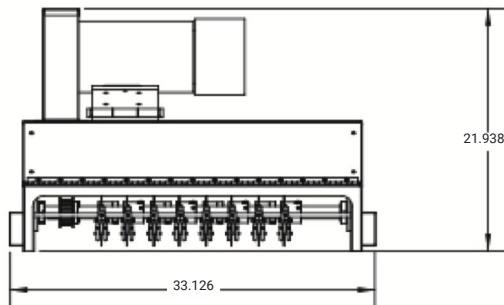
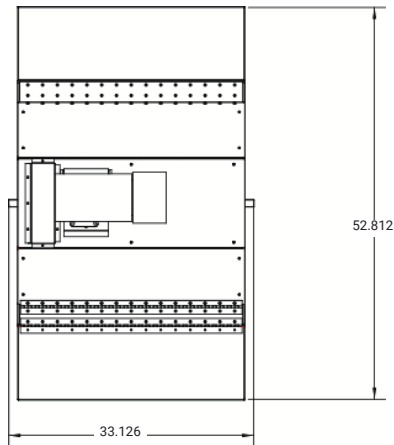
DESIGNED FOR:



The NE17 is comprised of a conveyor motor. This is a blade motor driving a timing belt for dual shafts loaded with large blades to slice the tops of bread and buns. The result is the perfect lobster roll, coney, or New England style sliced bun. The blade motor is also equipped with an internal disk brake to ensure the safety of every operator in your bakery 24-7.



## TECHNICAL SPECIFICATIONS



<b>ELECTRICAL</b>	208/230/460 VAC - 3Phase, 50/60Hz
<b>SAFETY</b>	Guard Switches
<b>SIZE</b>	Customizable
<b>AIR REQUIREMENTS</b>	Application dependent
<b>DRIVE</b>	1 HP w/ foot mount and brake

**i** Specifications vary by product and application. Please contact our sales office about product varieties and speeds.

## KEY FEATURES

- » Movable blades for easy positioning
- » External belt powered
- » Long-life bearings and belts used
- » Replacement parts readily available



**i** LMC builds the NE17 Slicer for each customer's particular needs. Your machine may vary from this typical unit illustrated. LMC wants to meet with you and design your new line.

