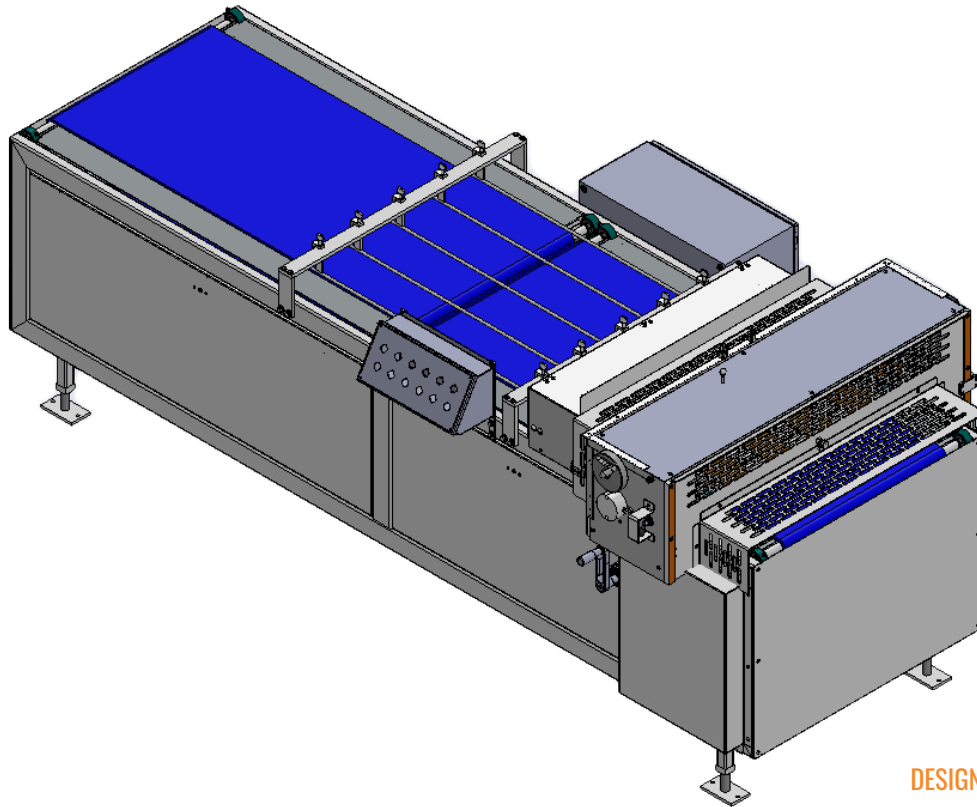


SINGLE BAND SLICER MODEL SB19

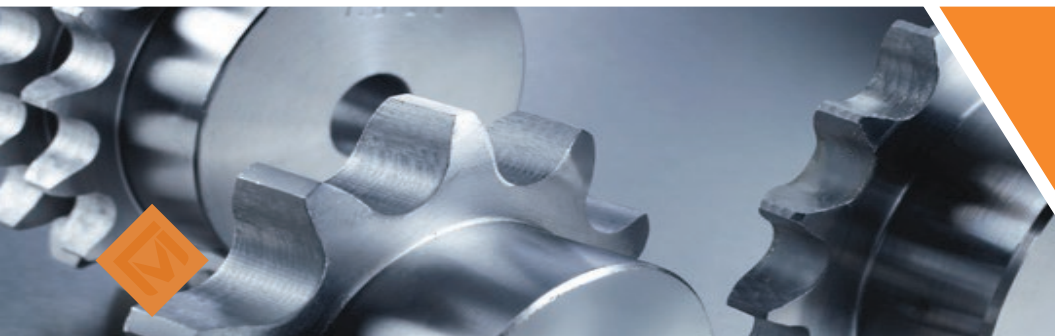


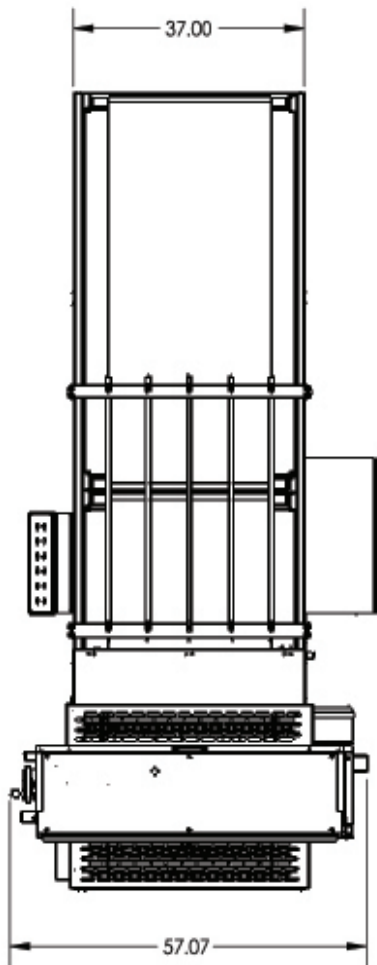
DESIGNED FOR:



FEATURES

- » 103 1/2" Blade
- » Hydraulic lift system
- » Crowned Drums
- » Able to reverse blade direction
- » Mechanically powered pressure table
- » External belt powered
- » High quality bearings and belts used
- » Replacement parts readily available
- » All machine parts made in the USA





ELECTRICAL	208/230/460 VAC – 3 Phase, 60 Hz
SAFETY	Sensaguard RFID Sensors, Cat III
SIZE	Customizable Conveyor Length
AIR REQUIREMENTS	90 psi @ 6 scfm
BLADE MOTOR	1 HP

KEY FEATURES

- » Single Band Blade for Full Horizontal Cut
- » Reversible Blade Direction
- » Manually Adjustable Blade Height
- » Manually Adjustable Pressure Table Belt Height
- » Adjustable Lane Guides
- » 26 in. Wide Grip Top Conveyor Belting
- » Self-powered or Externally Powered Options Available
- » Rate of base conveyor (2 ft/sec)
- » Blade height range 1/8" – 2-1/2"

OPTIONS

- » Available as a Replacement Head, or as a standalone unit, with slicer, frame, conveyor, and controls
- » Right or Left Hand Operator Models Available
- » V Shaped or Scallop Tooth Blades Available

